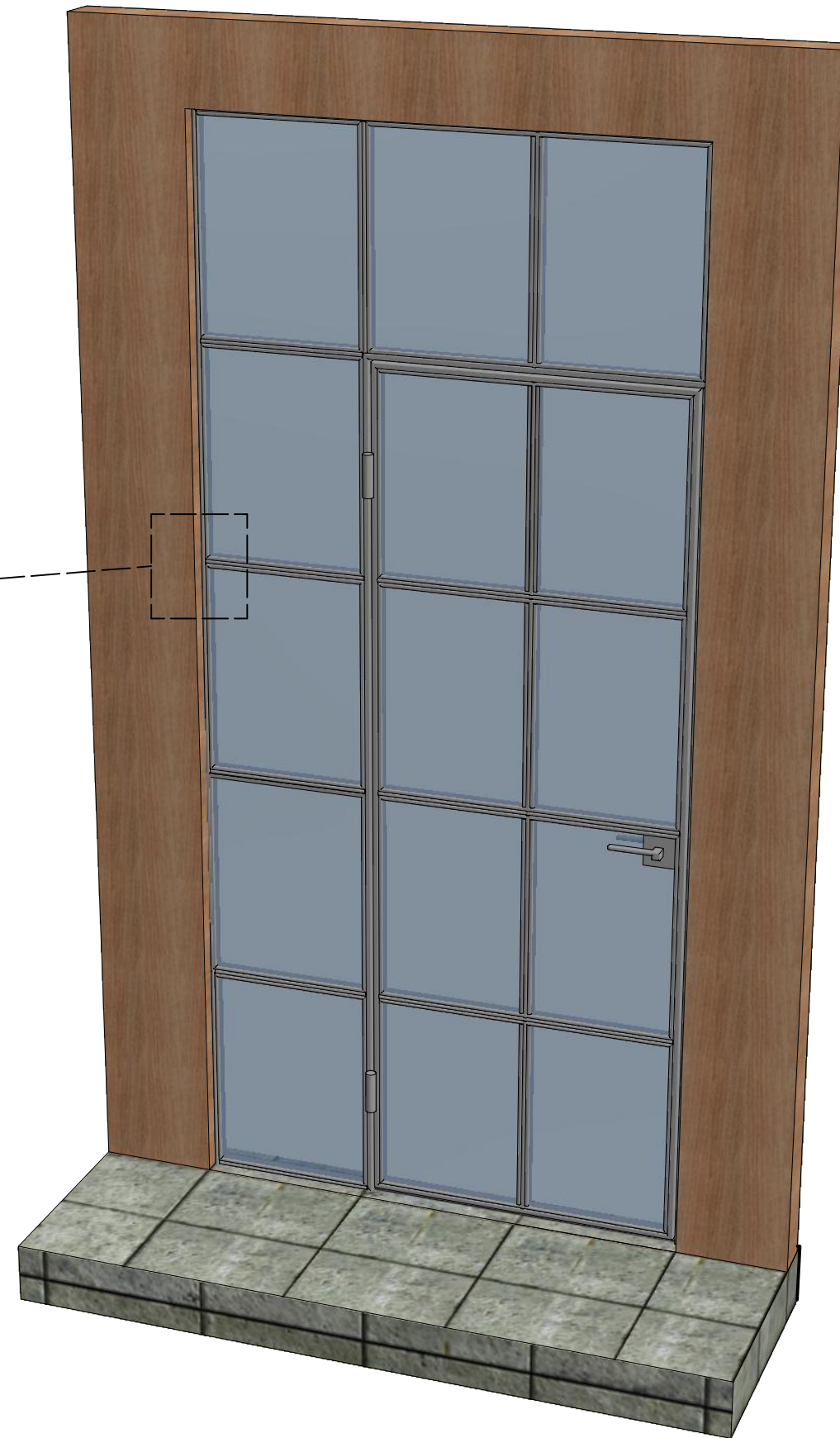
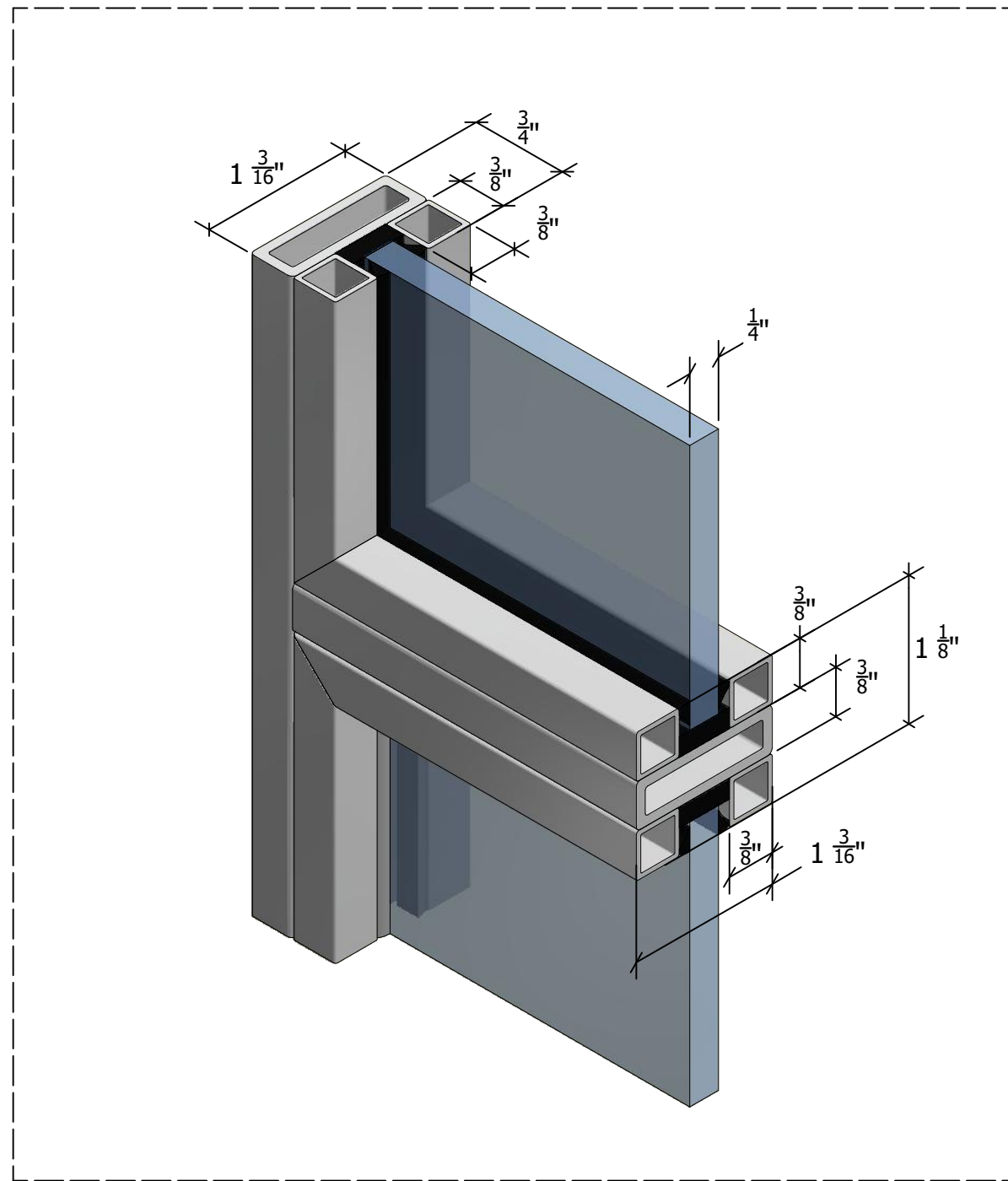
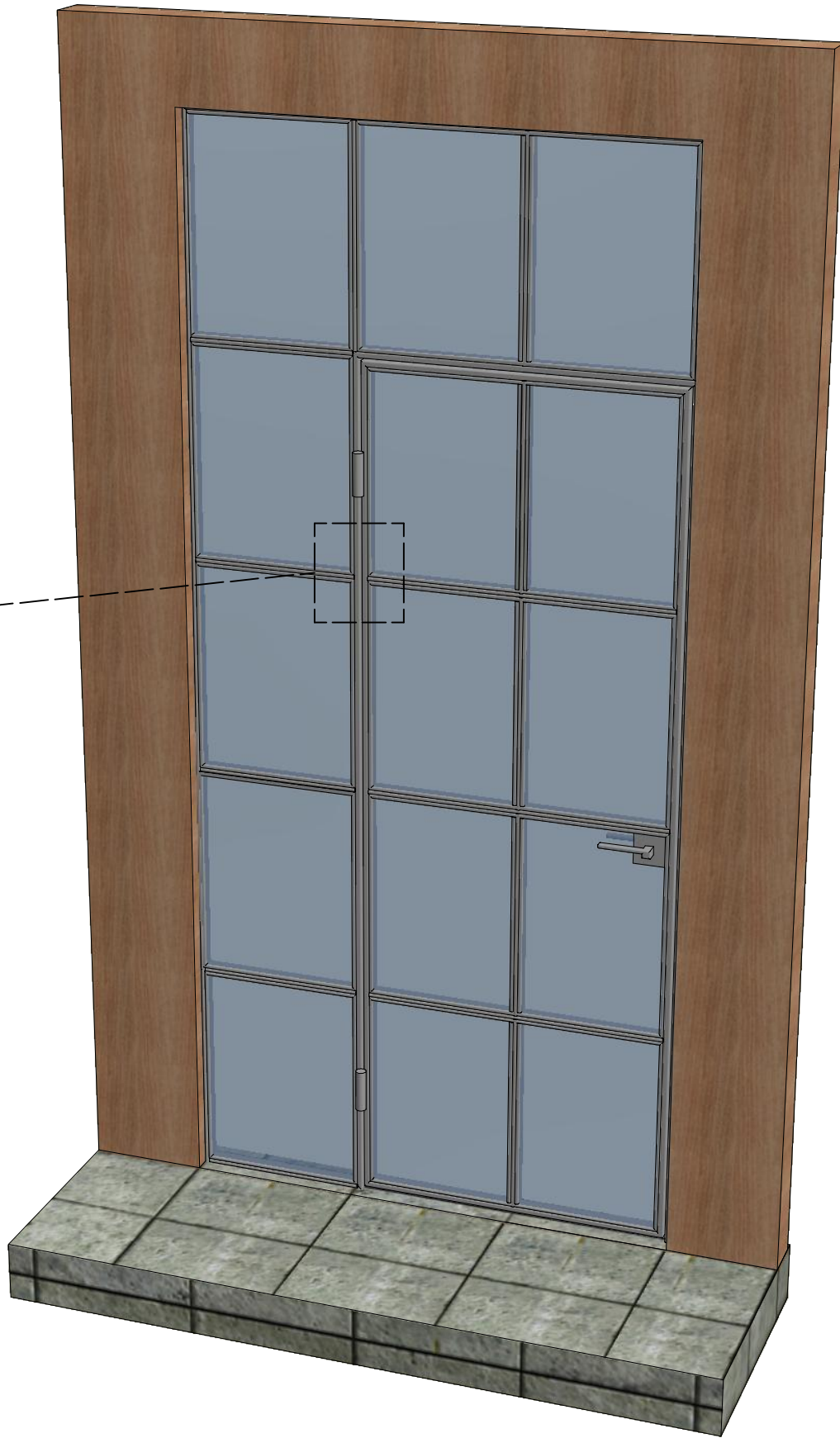
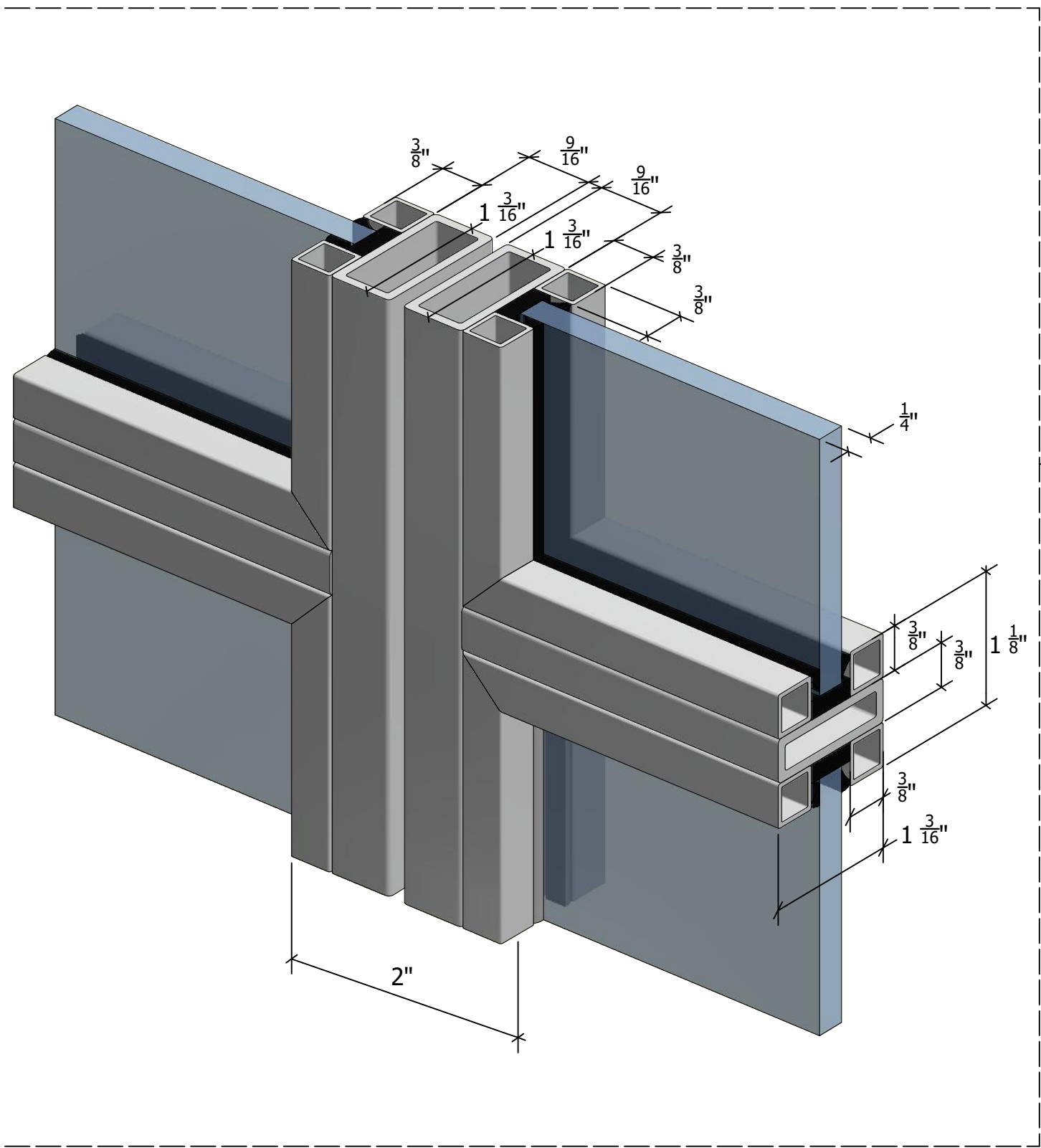


Custom Steel Glass Partitions



LEGEND	
NOTE:	
REV.	DATE
 CRYSTALIA GLASS architectural glass & metal	
CRYSTALIA GLASS 132 32nd street Suite 205 Brooklyn NY 11232	
PROJECT:	
DRAWING TITLE:	
DRAWN BY: N A	
DATE:	
SCALE	
ORIGINAL SHEET SIZE	A3
SHEET	
DRAWING NUMBER	
DO NOT SCALE DRAWING	



LEGEND

--	--

NOTE:

--	--

REV.	DATE



CRYSTALIA GLASS
 132 32nd street
 Suite 205
 Brooklyn NY 11232

PROJECT:

--

DRAWING TITLE:

--

DRAWN BY: N A

DATE:

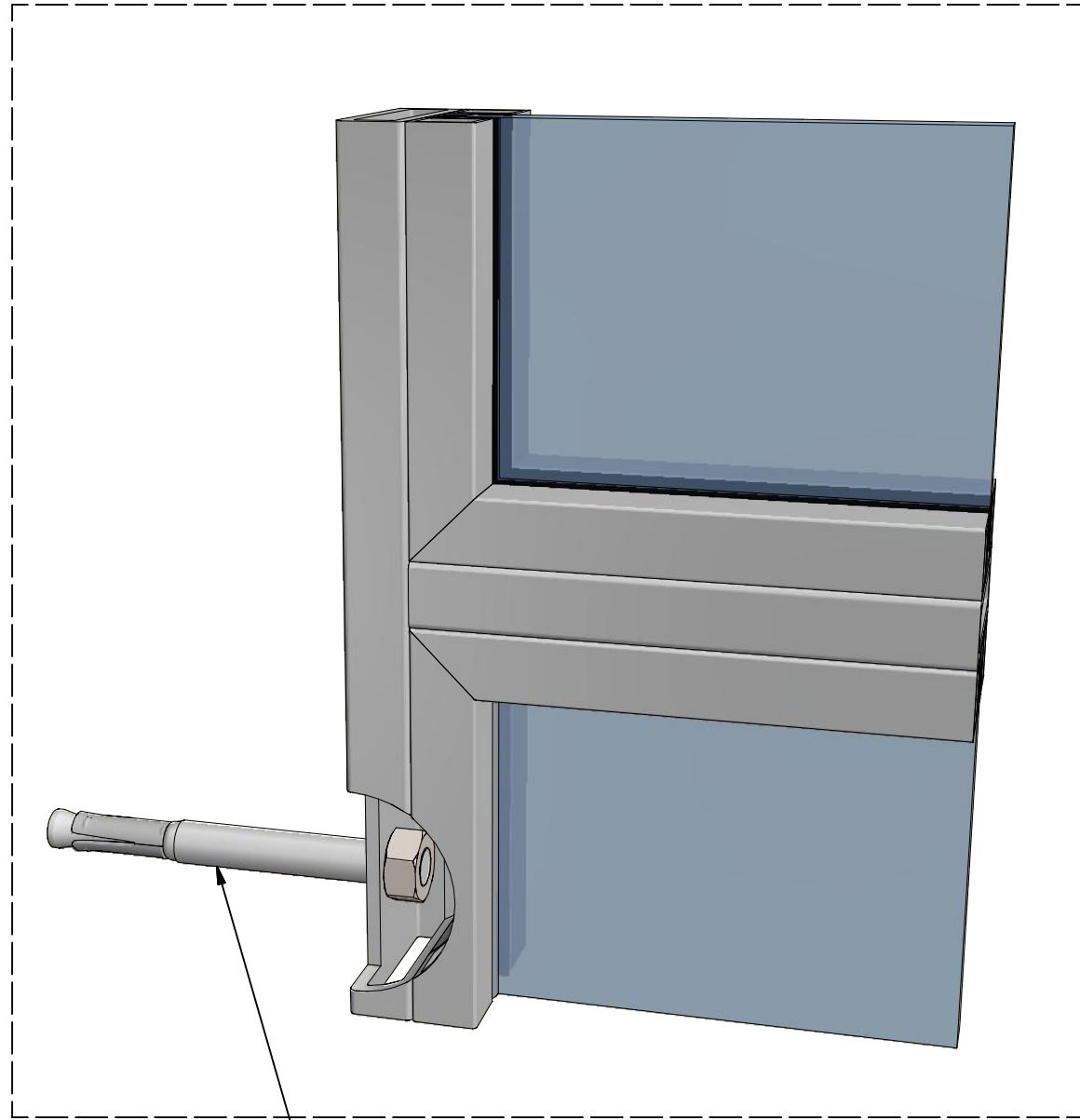
SCALE

ORIGINAL SHEET SIZE A3

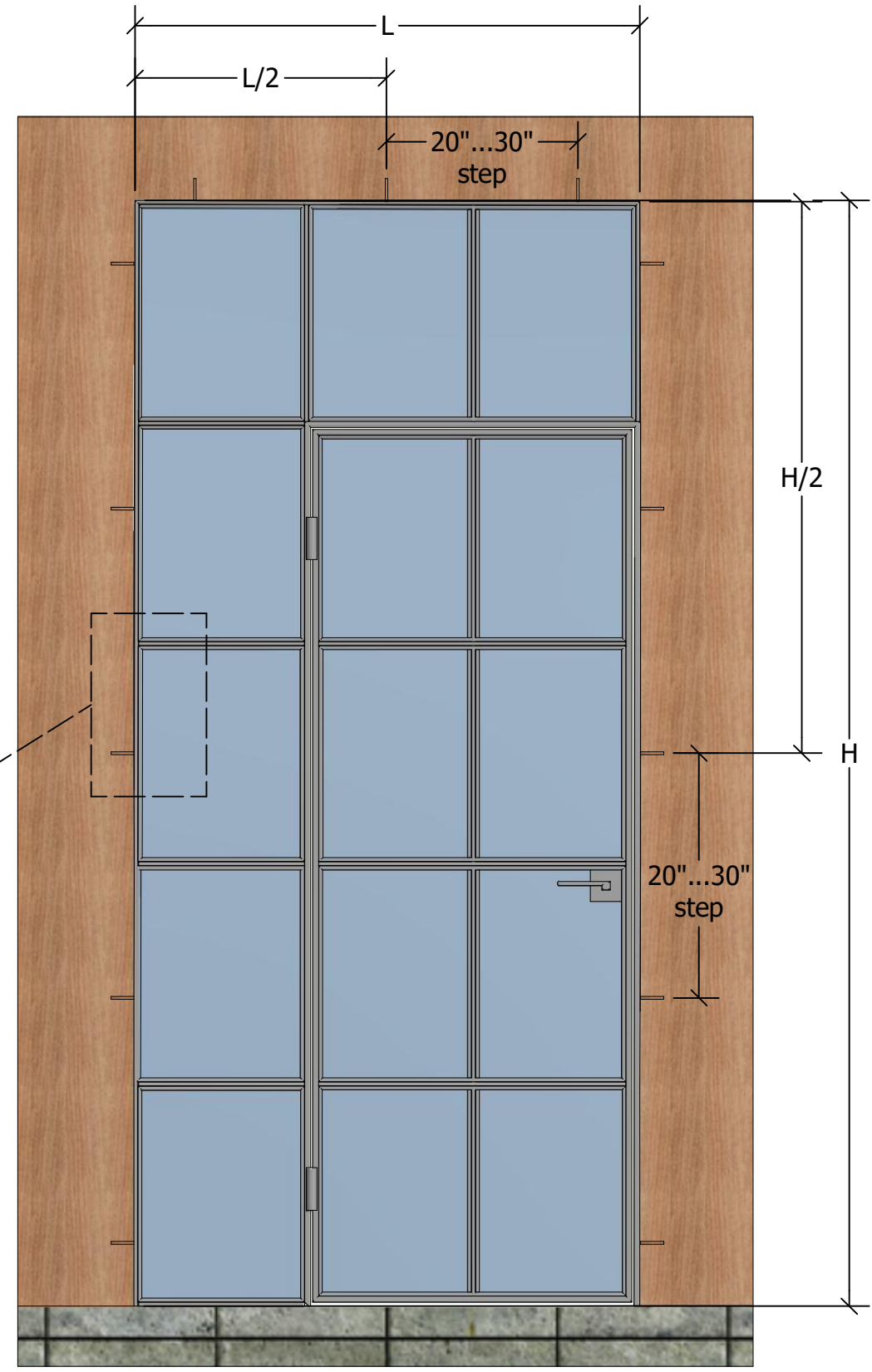
SHEET

DRAWING NUMBER

DO NOT SCALE DRAWING



Anchor



LEGEND

--

NOTE:

--

REV.	DATE



CRYSTALIA GLASS
132 32nd street
Suite 205
Brooklyn NY 11232

PROJECT:

--

DRAWING TITLE:

--

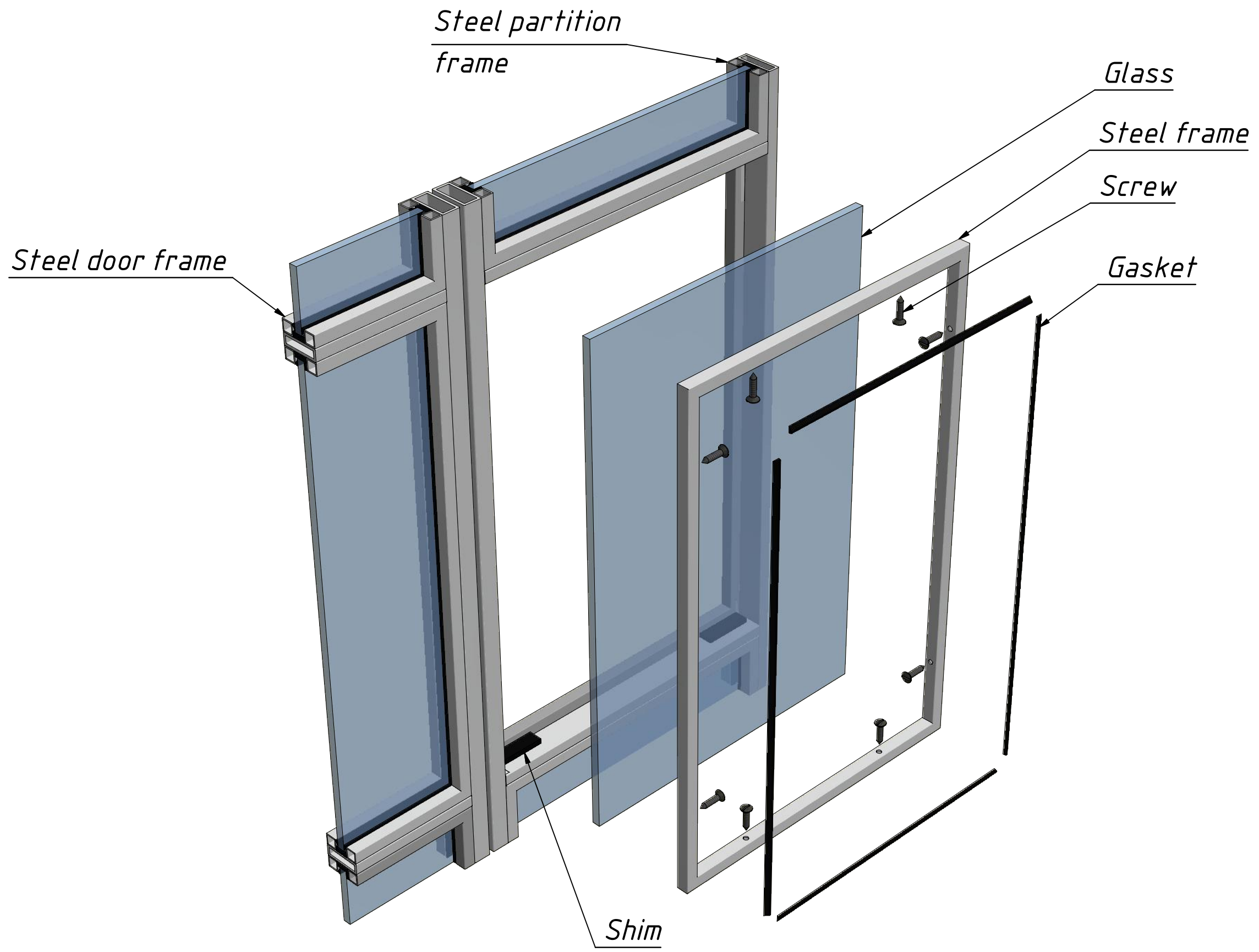
DRAWN BY: N A

DATE:

SCALE	
ORIGINAL SHEET SIZE	A3
SHEET	

DRAWING NUMBER

DO NOT SCALE DRAWING



LEGEND

--	--

NOTE:

REV.	DATE



CRYSTALIA GLASS
 132 32nd street
 Suite 205
 Brooklyn NY 11232

PROJECT:

DRAWING TITLE:

DRAWN BY: N A

DATE:

SCALE	
ORIGINAL SHEET SIZE	A3
SHEET	

DRAWING NUMBER

DO NOT SCALE DRAWING