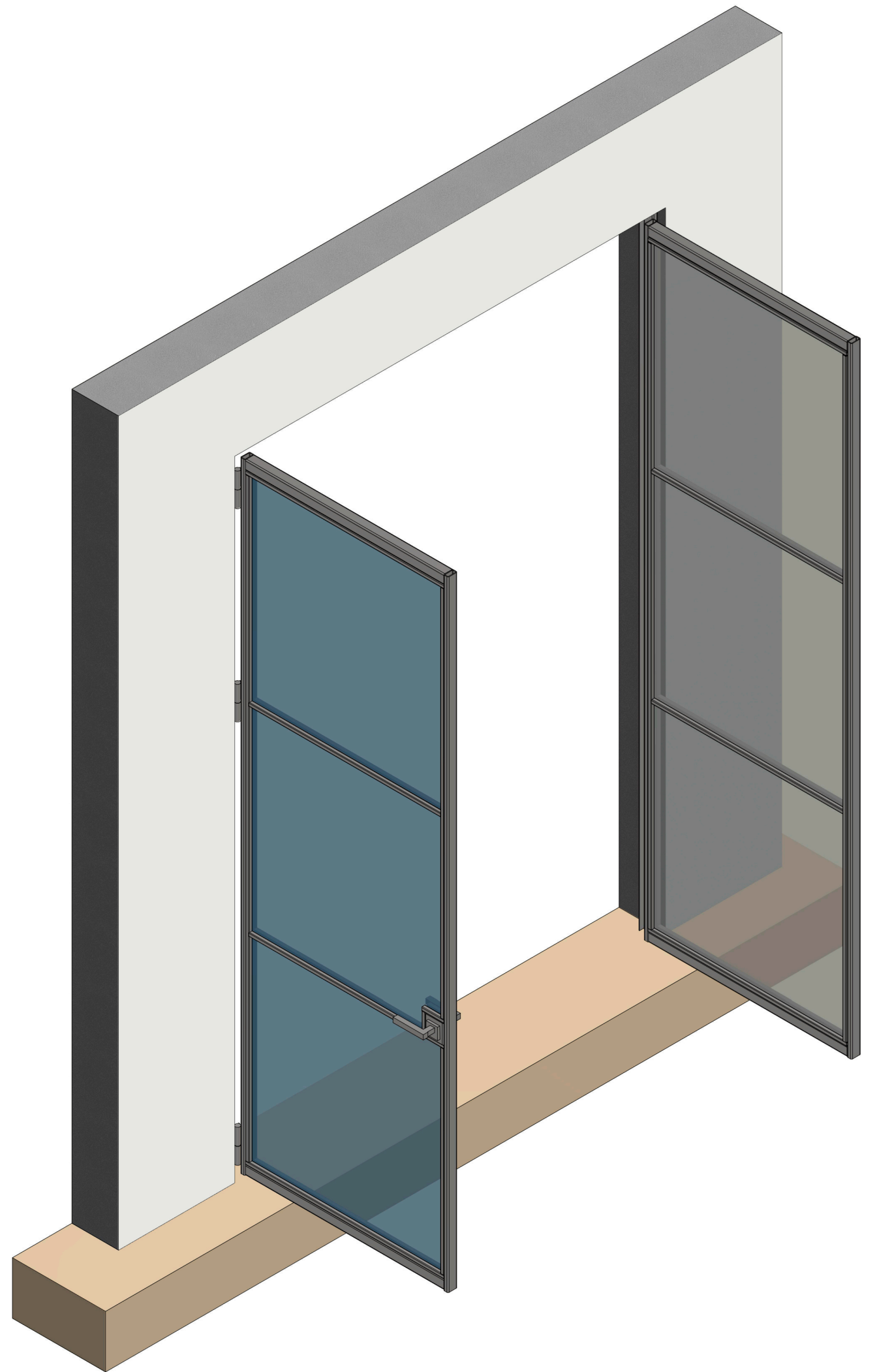
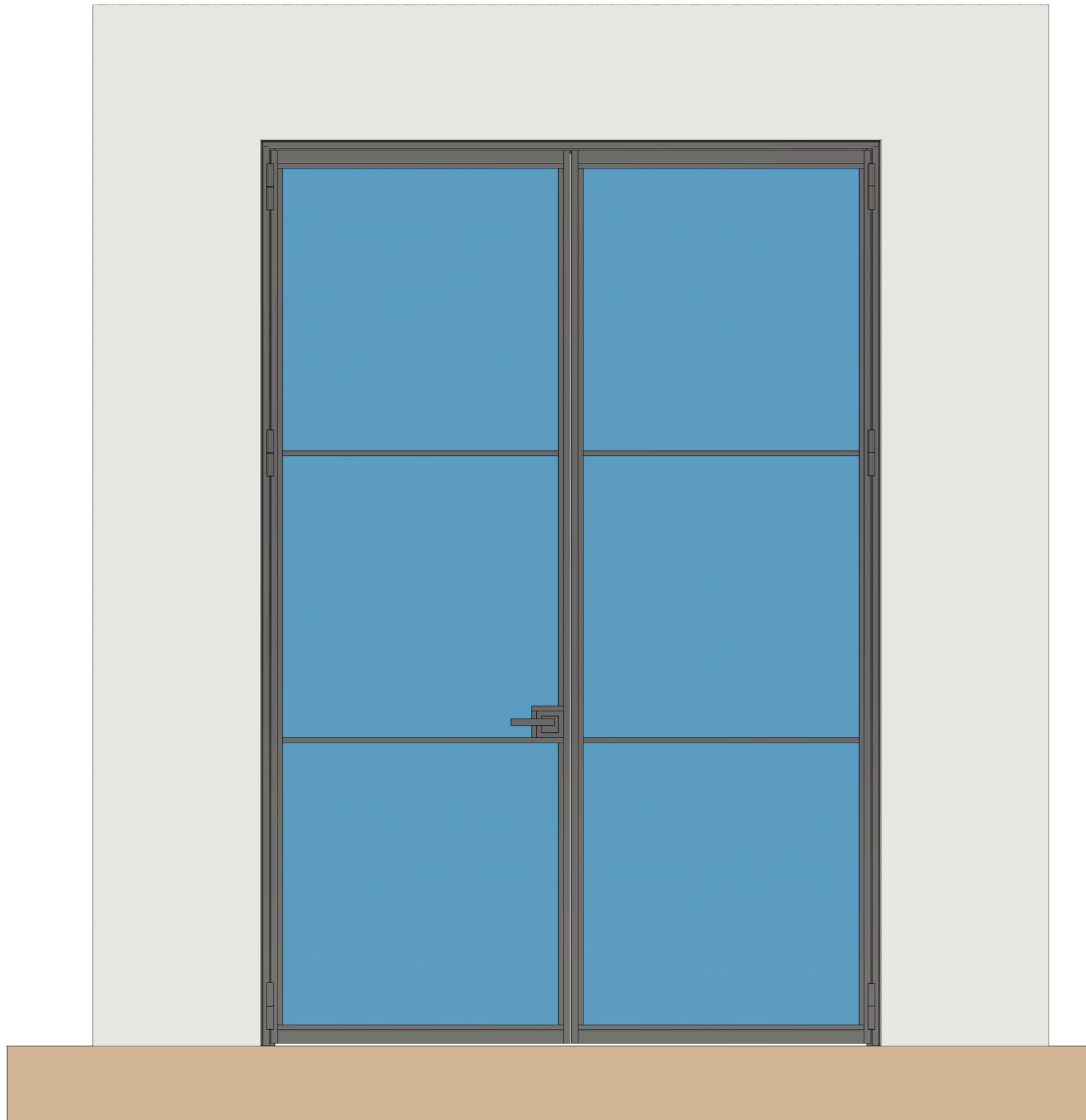


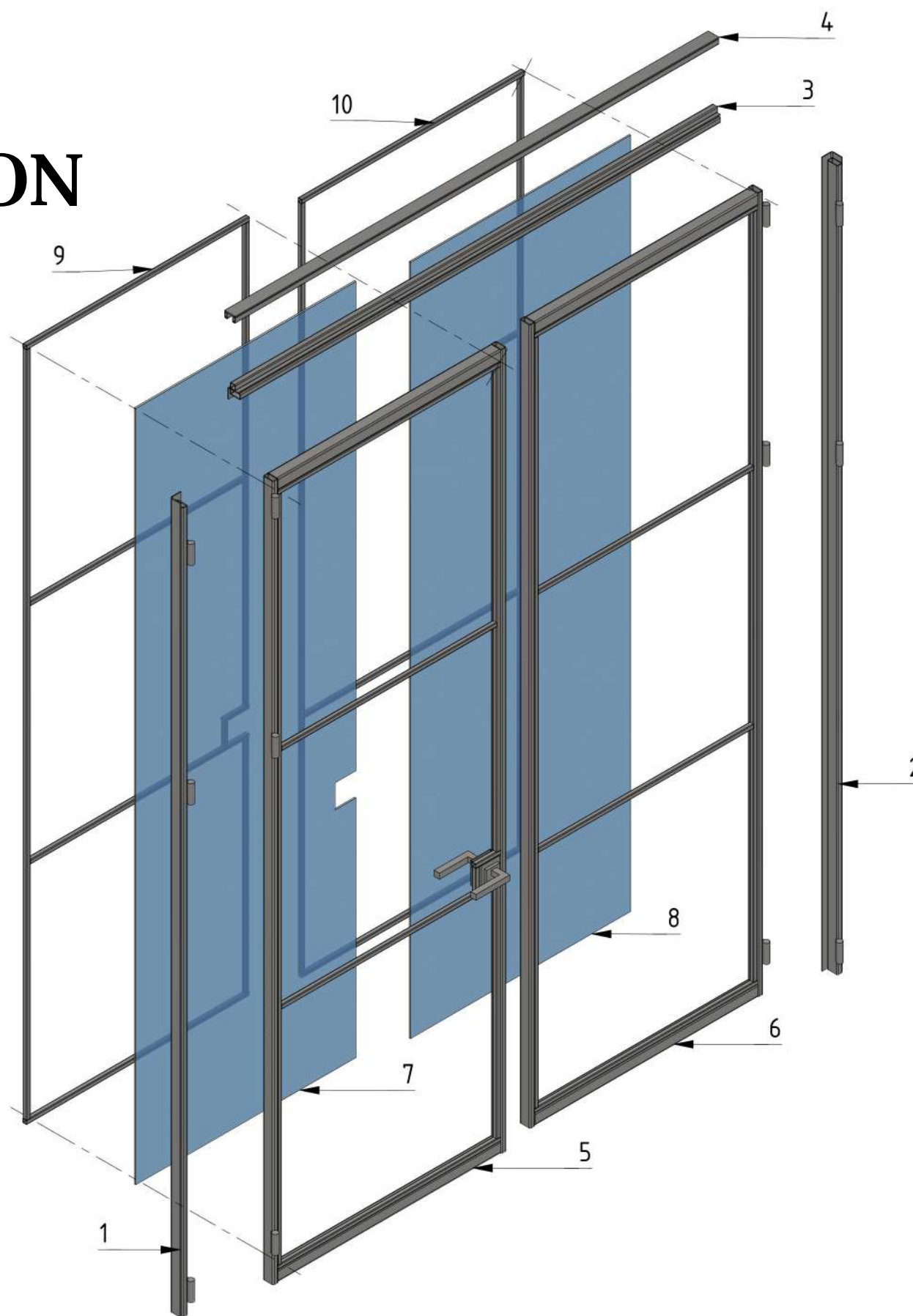
FINISHED ASSEMBLY

Double swing door



COMPOSITION

- 1-Door frame;s left pillar
- 2-Door frame's right pillar
- 3-Door frame's crossbar
- 4-Guide bar
- 5-Left door
- 6-Right door
- 7-Left door's glass
- 8-Right door's glass
- 9-Left glass frame
- 10-Right glass grame

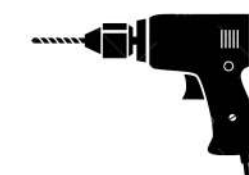


Required tools to install

-Drill



-Electric screwdriver



-Level instrument



-Stepladder



-Tape Measure

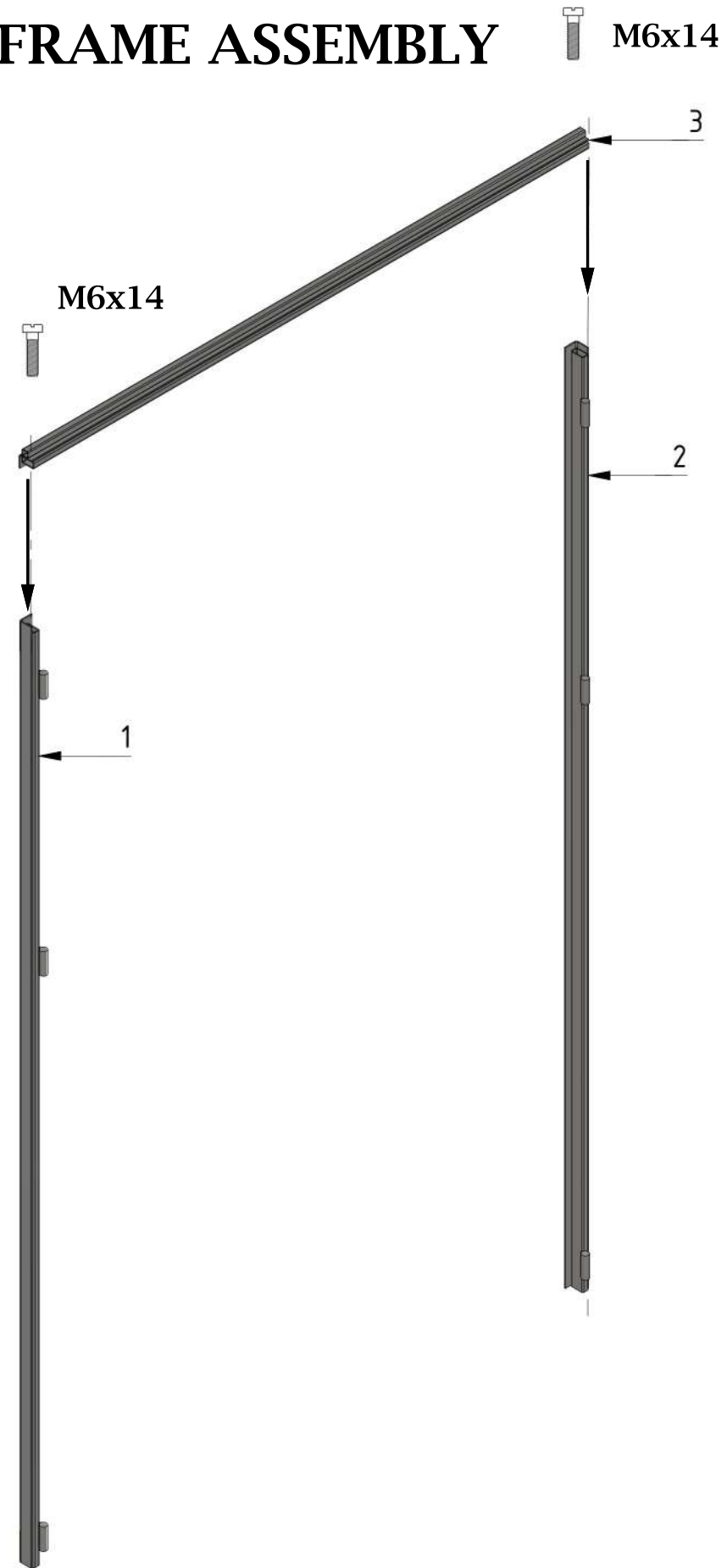


-Silicone sealer



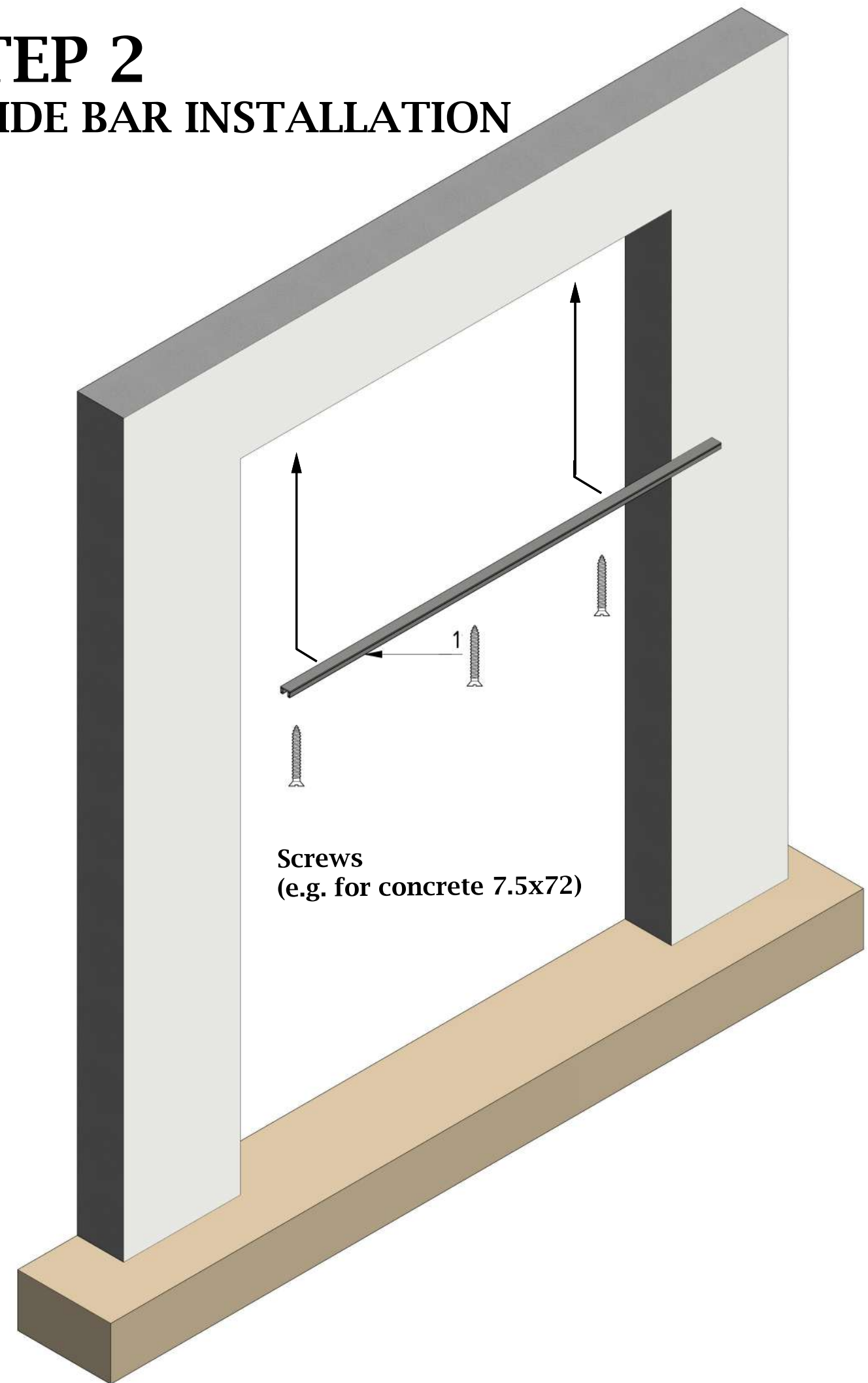
STEP 1

DOOR FRAME ASSEMBLY



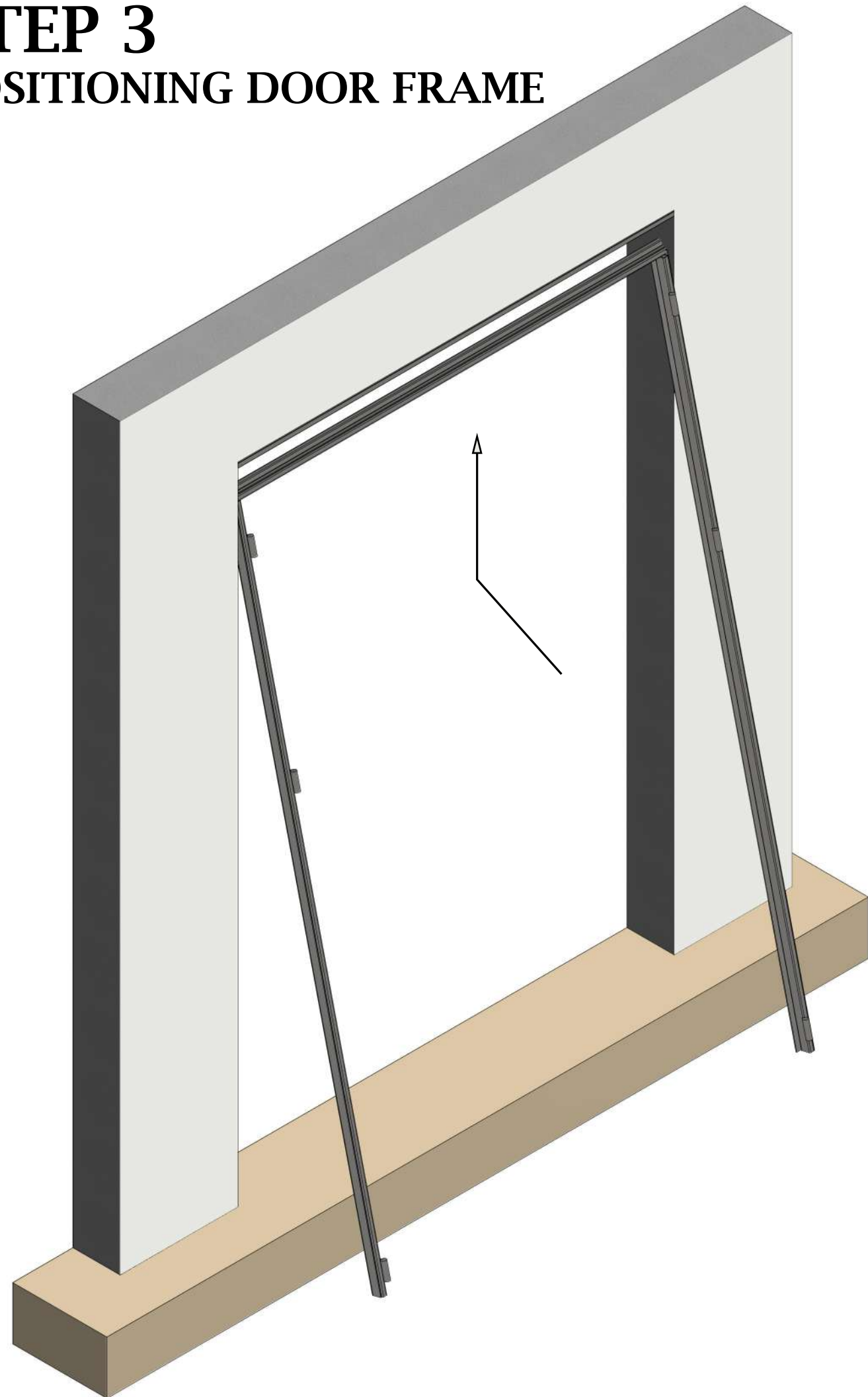
STEP 2

GUIDE BAR INSTALLATION



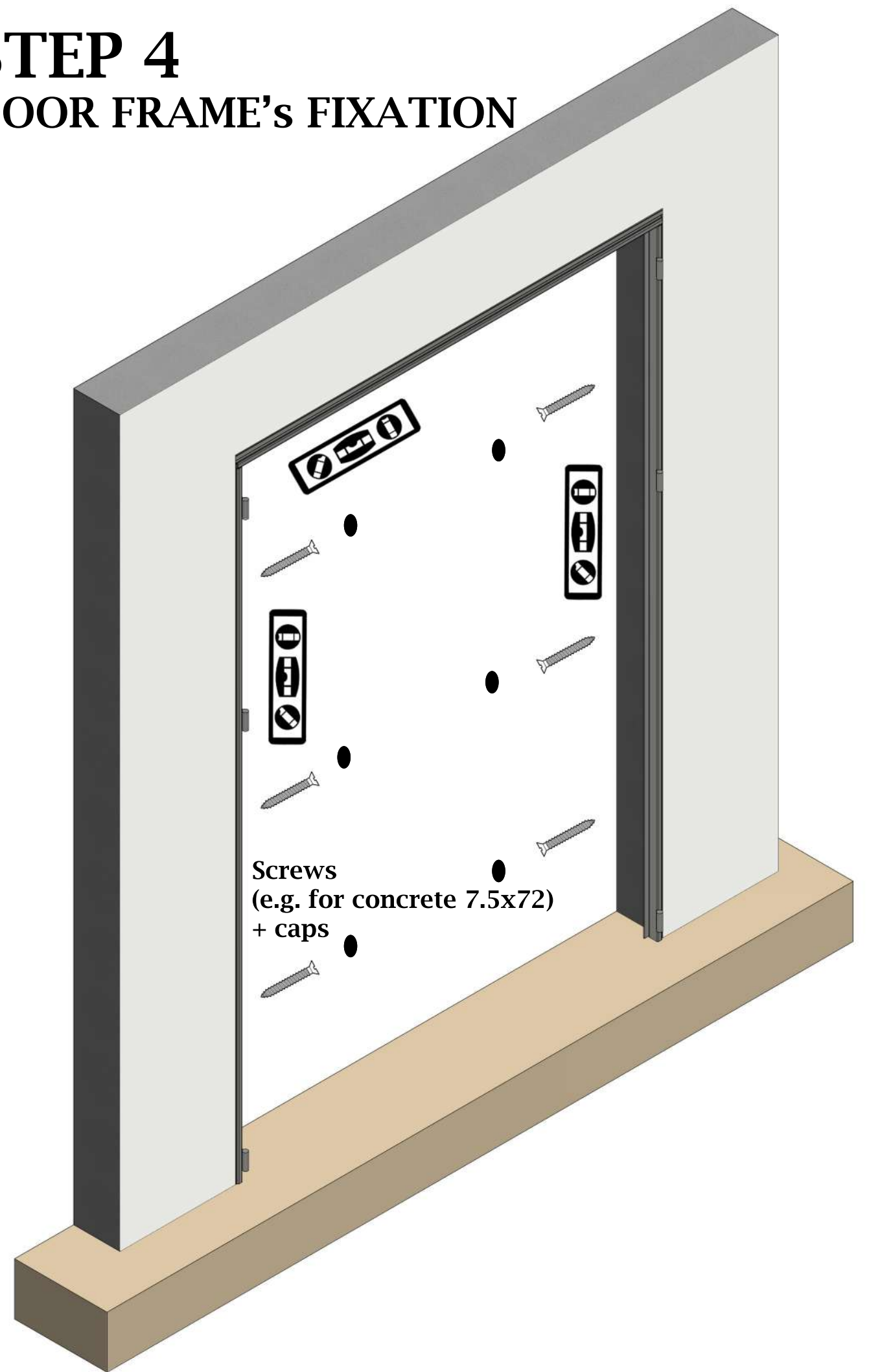
STEP 3

POSITIONING DOOR FRAME



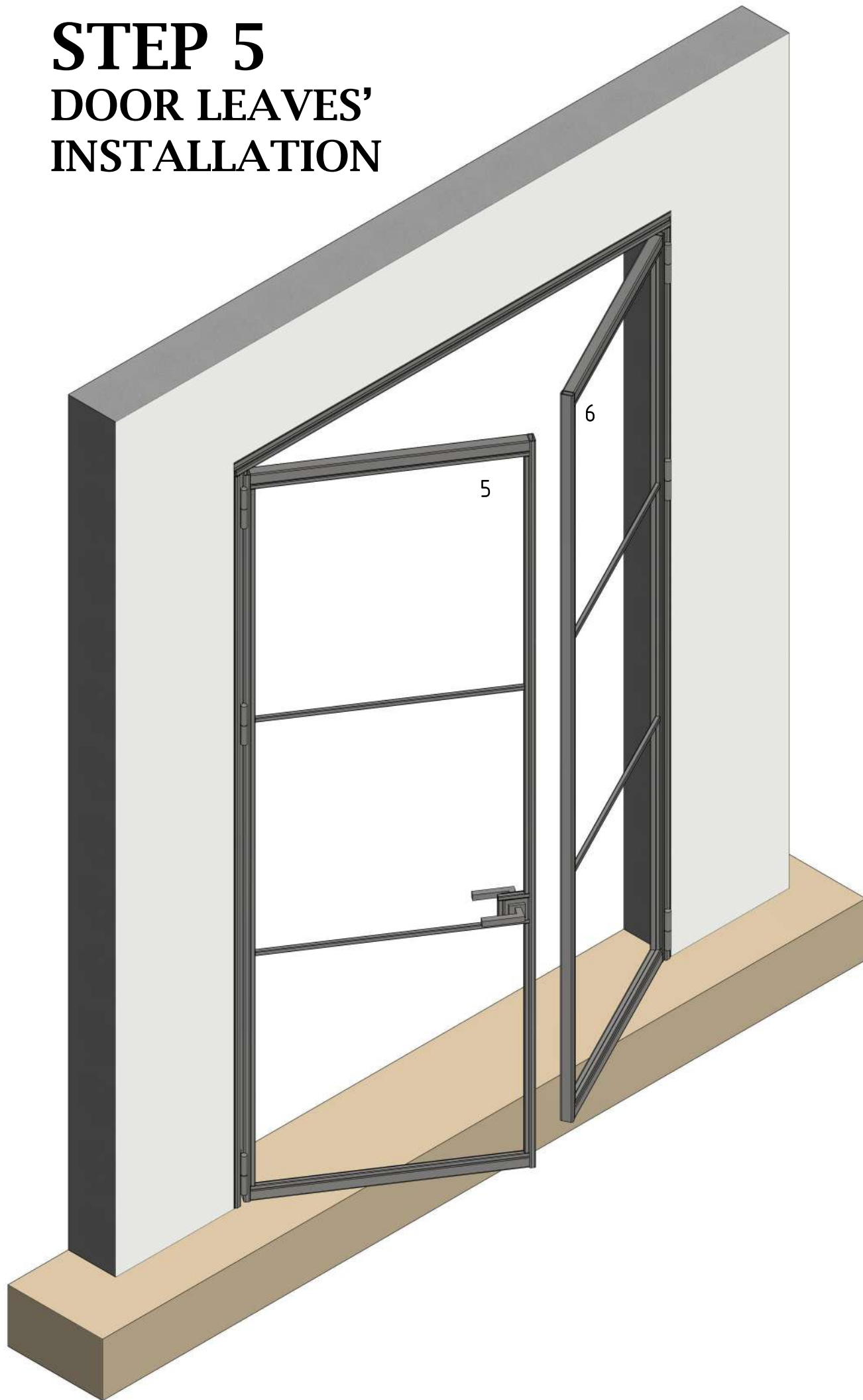
STEP 4

DOOR FRAME'S FIXATION



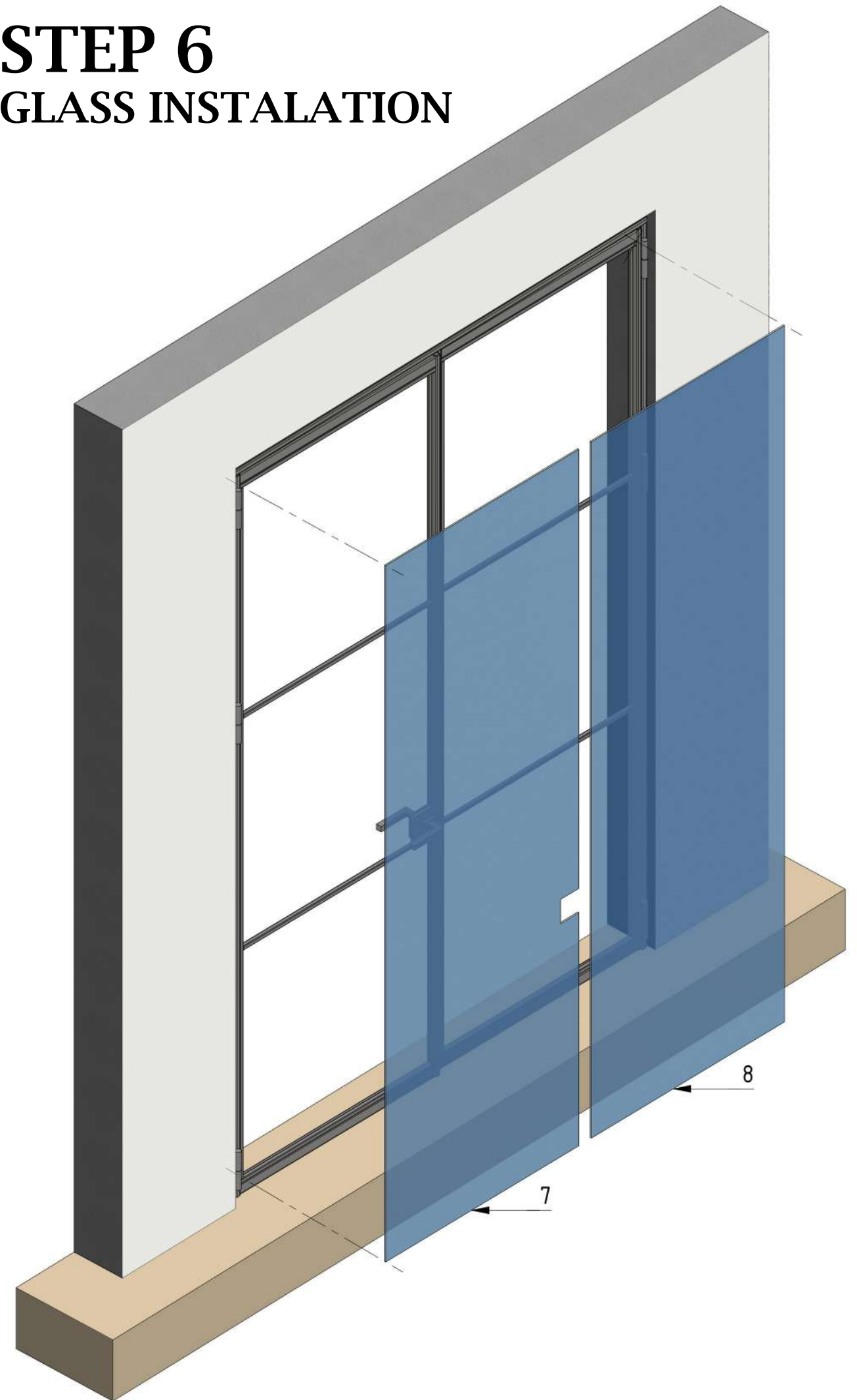
STEP 5

DOOR LEAVES' INSTALLATION



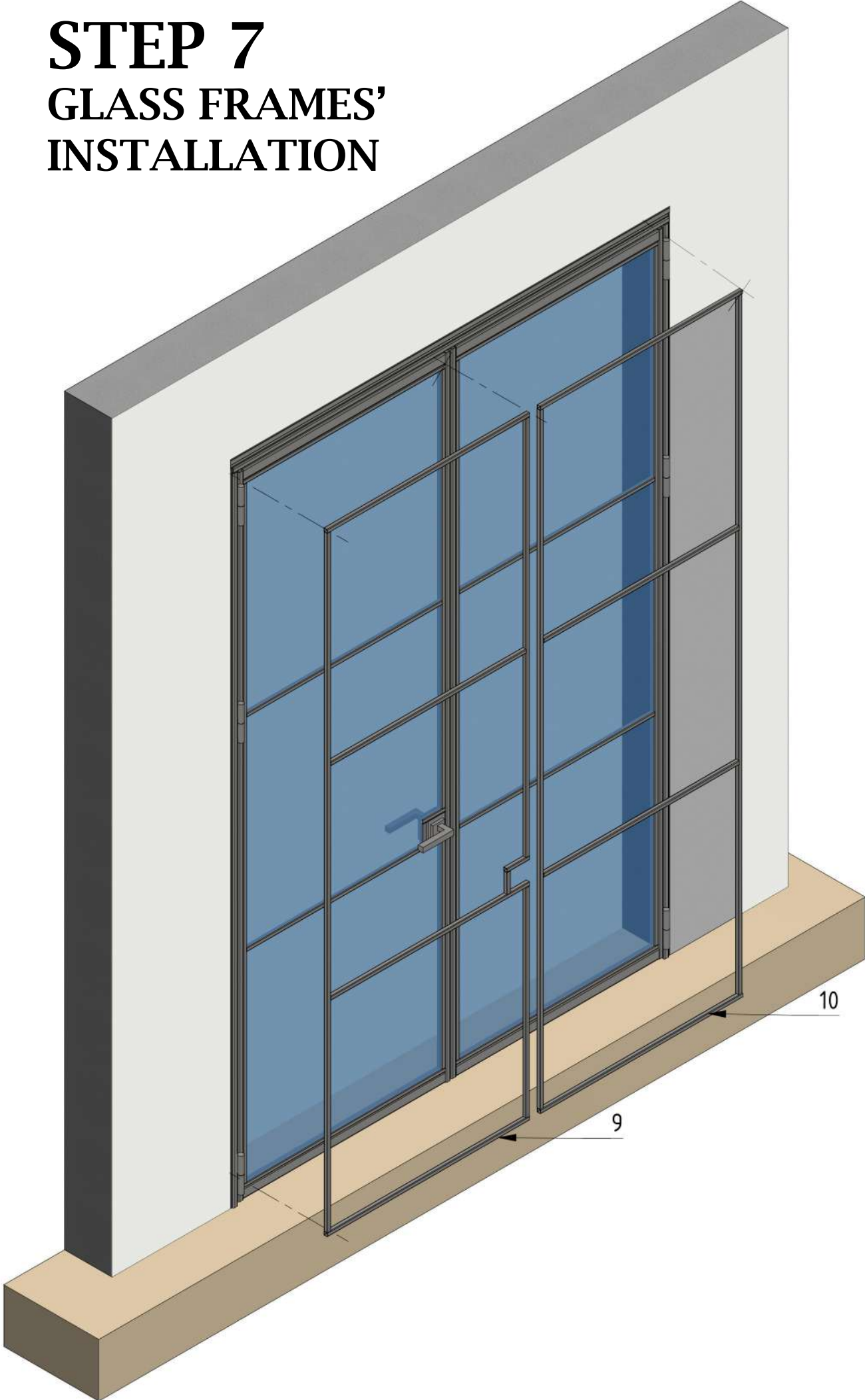
STEP 6

GLASS INSTALLATION



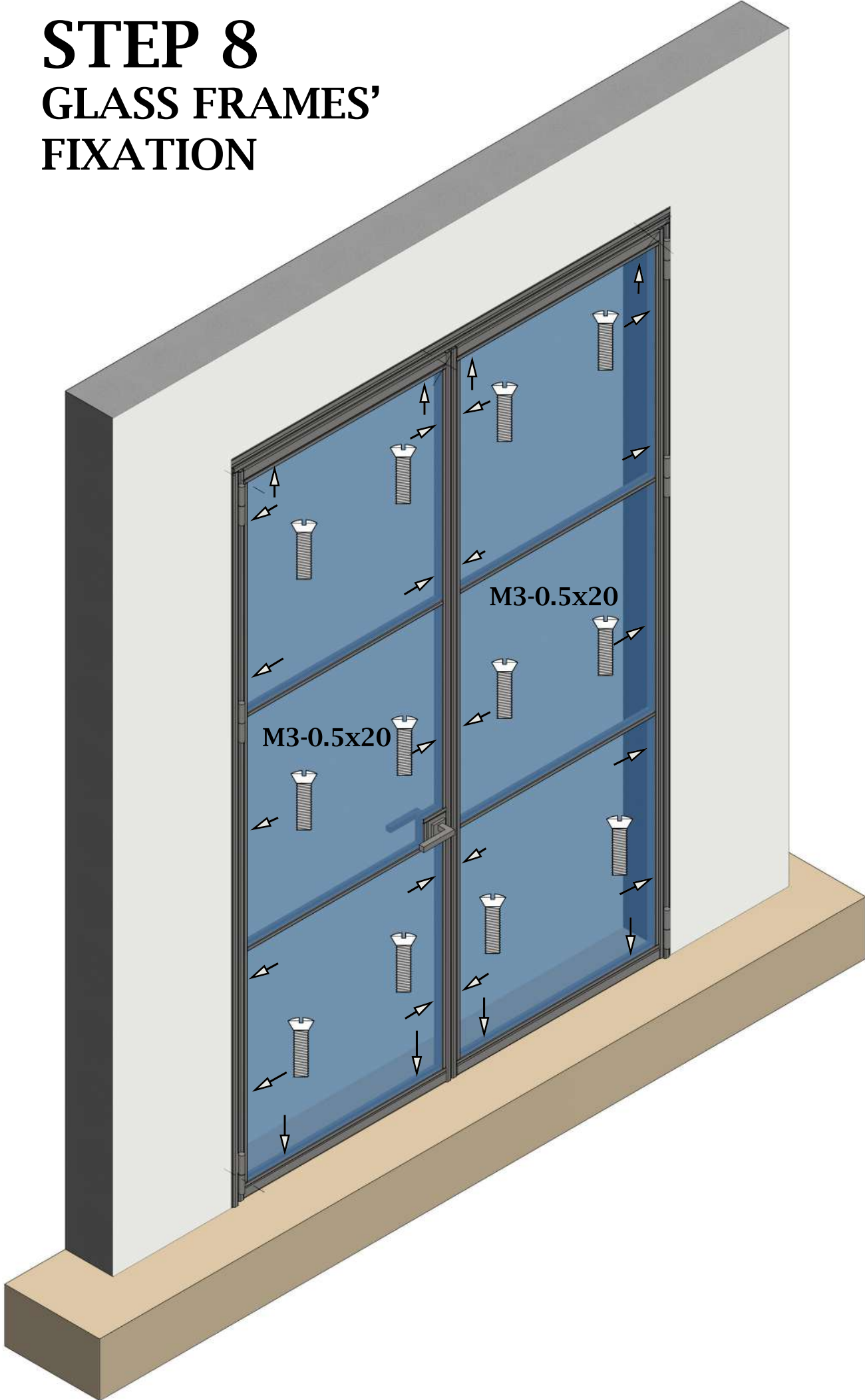
STEP 7

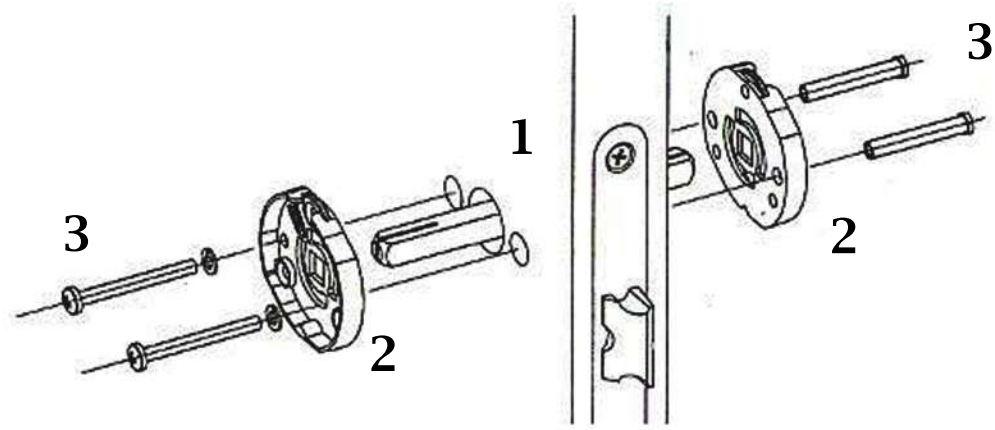
GLASS FRAMES' INSTALLATION



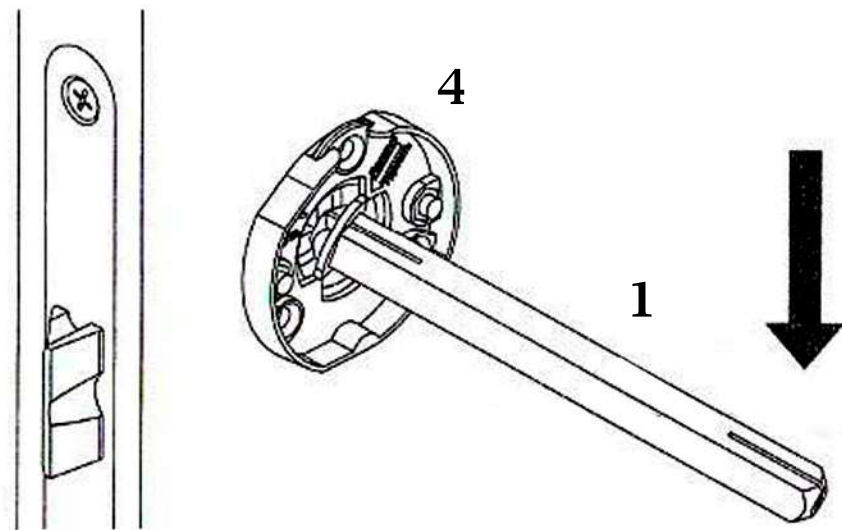
STEP 8

GLASS FRAMES' FIXATION

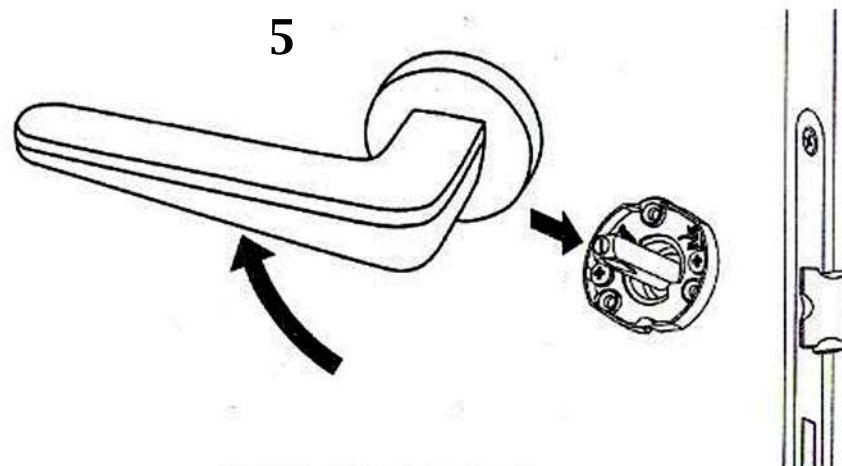




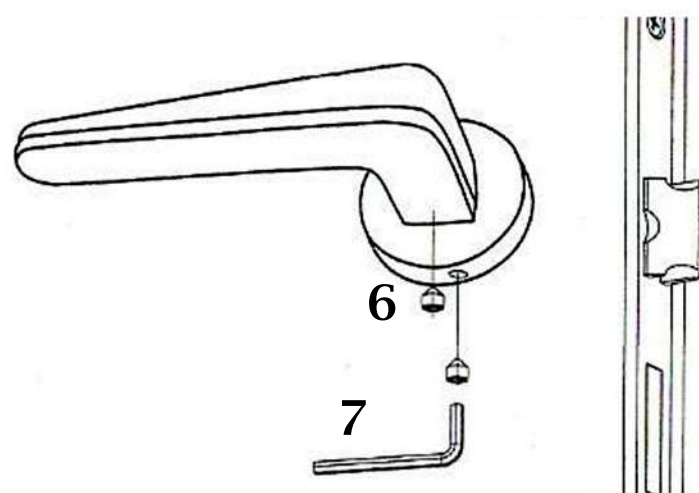
STEP 1. Insert the square rod (1) into the hole of the lock or latch. Install the bases (2) on both sides. Fix the bases (2) with screws (3).



STEP 2. Remove the square rod (1) from the hole and by pressing it break the elements (4) from the center of the bases if any of them are left.



STEP 3. Insert the rod back and slip the handles (5) onto the basis.



STEP 4. Fix the handles with set screws (6) using hex (7).